

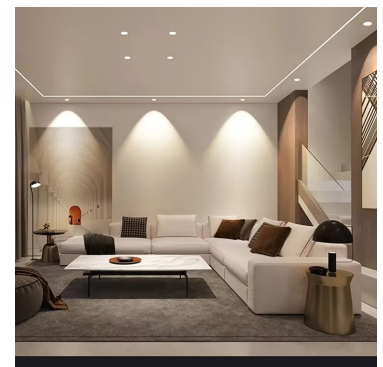
LED SPOT LIGHT KUDORA



LED spotlights are spotlights that use light emitting diodes as a light source. Traditional spotlights mostly use halogen lamps, which have a low luminous efficiency, are more power-consuming, are exposed to rising ambient temperatures and have a short service life. Decorative downlight luminaire, adapted for tool-free assembly, for suspended ceilings, for LED light sources. The luminaire in round version with different angles of light distribution.

PRODUCT ADVANTAGES AND FEATURES

- ◆ Energy-saving: the same power LED lights consume only 10% of the electricity of incandescent lamps, more energy-efficient than fluorescent lamps.
- ◆ Long life: LED lamp beads can work up to tens of thousands of hours, longer than fluorescent lamps and incandescent lamps.
- ◆ Colorful: there are positive white light, ambiguous white light, red, green, blue and other colours, whether it is used for decorative small colored lights or neon lights in the living room next to the big lights, are very bright.
- ◆ Versatile and Adjustable: With a beam angle of 95 degrees, this spotlight offers adjustable lighting solutions to suit various settings. Available in multiple color temperatures (2700K, 3500K, 4000K, 5000K and 6500K), it caters to diverse user preferences, including those who prefer a warm or cool ambiance.



Products parameter

	Product Name :	SPOT LIGHT KUDORA R-SL01R75
	Model Number :	R848912
	Power :	12W
	Driver :	TRIDONIC
Electric Data	Input :	AC220-240V , 50 /60 HZ
	Power factor :	Pf>0.9
	Driver Options :	On/Off /0-10V / Dali/Tridonic/ Triac Dimmer/ Zigbee
	Power Efficiency :	92%
	LED Chip Current :	300mA
	LED Chip Voltage :	36VDC
	Photometric Specifications	Light source :
Lumen Efficiency (±10%) :		82lm/W
Colour Temperature :		2700K-3500k-4000k-5000K-6500k
Colour Rendering Index :		CRI>90
Beam angle :		15°/24°/36°
SDCM :		<3
UGR :		<16
Mechanical Specifications	Temperature range :	20-50°C
	Housing material :	Die-casting Aluminium
	Optical material :	Reflective Cup
	Lightning protection :	1.5-4KV
	Protection class :	IP54
	Optics color :	Silver, White, Black, Titanium
	Finish Color :	Silver RAL9006/Black RAL9004/WhiteRAL9016
	Life time :	L80 B50 @50,000
	Type Shapes :	Round, Square
	Sizes in :	D83mmxH88mm Ø75mm



AC220-240V 50-60Hz	Angle 15°/24°/36°	50000Hr Long Life	980Lm
Projection direction	Pf>0.95	UGR <16	IP54
3CCT	3000K Ra≥90	4000K Ra≥90	6000K Ra≥90

LED Chips

--	--	--	--

LED Drivers

--	--	--	--

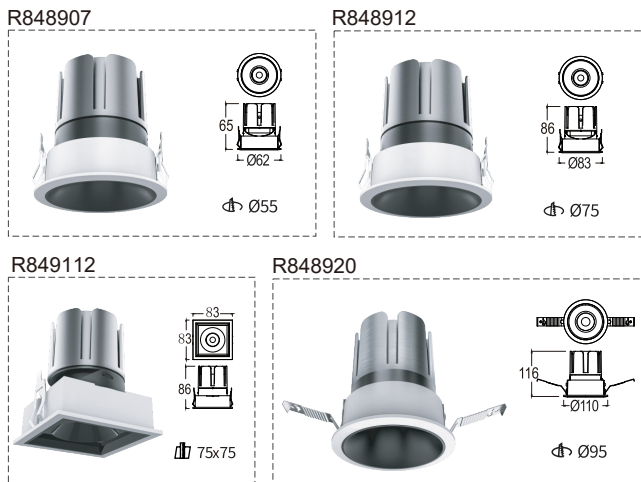


Technical Parameter

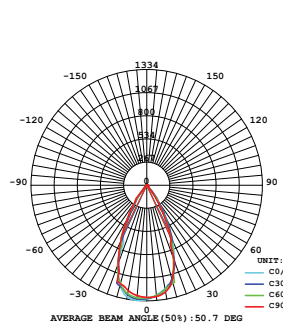
Model Number	Item Code	Power	LED Current	Lumen (±5%)	Input	Color Rendering Index	Beam Angle	Dim	Protection Class	SIZE (in mm)
R848907	R-SL01R55	7W	180mA	600lm	AC220-240V 50/60 HZ	CRI≥90 CRI≥97	8° 15° 24° 36° 45° 60°	TRIAC DALI 0/1-10V	IP54	H65xØ62 Φ55
R848912	R-SL01R75	12W	300mA	1050lm	AC220-240V 50/60 HZ	CRI≥90 CRI>97	8° 15° 24° 36° 45° 60°	TRIAC DALI 0/1-10V	IP54	H86xØ83 Φ75
R849112	R-SL01S75	12W	300mA	1050lm	AC220-240V 50/60 HZ	CRI≥90 CRI≥97	8° 15° 24° 36° 45° 60°	TRIAC DALI 0/1-10V	IP54	H86x83x83 Φ75x75
R848920	R-SL01R95	20W	500mA	1850lm	AC220-240V 50/60 HZ	CRI≥90 CRI>97	8° 15° 24° 36° 45° 60°	TRIAC DALI 0/1-10V	IP54	H116xØ110 Φ95

Trimless

Model Number	Item Code	Power	LED Current	Lumen (±5%)	Input	Color Rendering Index	Beam Angle	Dim	Protection Class	SIZE (in mm)
R849007	R-SL01RT55	7W	180mA	600lm	AC220-240V 50/60 HZ	CRI≥90 CRI≥97	8° 15° 24° 36° 45° 60°	TRIAC DALI 0/1-10V	IP54	H65xØ92 Φ55
R849012	R-SL01RT75	12W	300mA	1050lm	AC220-240V 50/60 HZ	CRI≥90 CRI>97	8° 15° 24° 36° 45° 60°	TRIAC DALI 0/1-10V	IP54	H86xØ111 Φ75
R849020	R-SL01RT95	20W	500mA	1850lm	AC220-240V 50/60 HZ	CRI≥90 CRI>97	8° 15° 24° 36° 45° 60°	TRIAC DALI 0/1-10V	IP54	H131xØ116 Φ95



Luminous Intensity Distribution



Luminous Intensity Distribution

