

## LED SQUARE DOWN LIGHT TINO

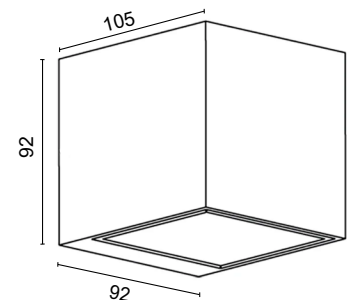


Step lights are small, low-profile light fixtures used to illuminate stairs or steps, enhancing visibility and safety, especially in low-light conditions. They are designed to be mounted on walls, either recessed or surface-mounted, and can be used both indoors and outdoors. Step lights offer a decorative touch while providing practical illumination for staircases, walkways, and other areas. Step lights significantly reduce the risk of slips and falls by clearly outlining the steps, especially in poorly lit areas.



### PRODUCT ADVANTAGES AND FEATURES

- ◆ Down wall light design provides ample and focused illumination, perfect for hallways, living rooms, bedrooms, and more.
- ◆ These light can enhance the overall look and feel of a space, adding a decorative element to both interior and exterior designs.
- ◆ They can create a warm and inviting atmosphere, especially when used to highlight architectural features or create a welcoming ambiance.
- ◆ Step lights significantly reduce the risk of slips and falls by clearly outlining the steps, especially in poorly lit areas.



### Products parameter

	Product Name :	SQUARE DOWN LIGHT TINO
	Model No	R847510
	Power	10W
	Driver	On/Off
Electric Data	Rated Voltage :	AC220V-240V 50~60Hz
	Power Factor	>0.90
Photometric Specifications	Driver :	Done
	Luminous Efficiency(±5%)	80Lm/W
	Luminous flux(±5%)	480/720/960/1500/1900/3000/4200Lm
	CCT	2700K - 3000K - 4000K - 6500K
	CRI	CRI>80
	Optics Lens	15°/25°
	Beam Angle :	60°
Mechanical Specifications	Protectionlevel	IP65
	Material	Die Casting Aluminum Black Whole Body
	Housing Color	IK08
	Operating temperature	-25°C ~ 55°C
	Life span	>50000H
	Warranty	5years



Projection direction	Pf>0.9	IK08	IP65
AC220-240V 50-60Hz	Angle 60°	50000Hr Long Life	80Lm/W
2700K Ra≥80	3000K Ra≥80	4000K Ra≥80	6500K Ra≥80

